

Hyperbolas

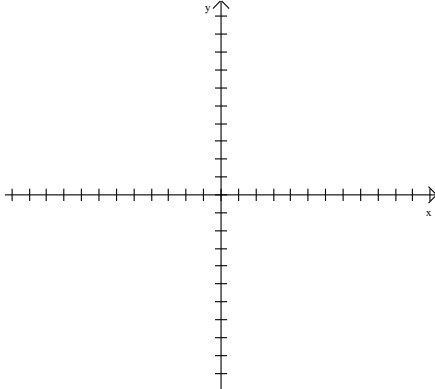
Name _____

Hour _____ Date _____

You are to fill in the missing information and sketch the graph.

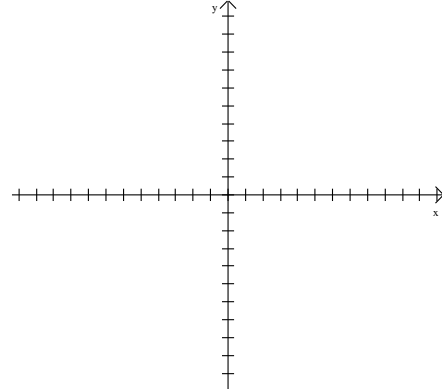
1. $\frac{y^2}{4} - \frac{x^2}{25} = 1$

center is (_____, _____)
 Asymptotes are _____ & _____
 Vertices are (_____, _____) & (_____, _____)



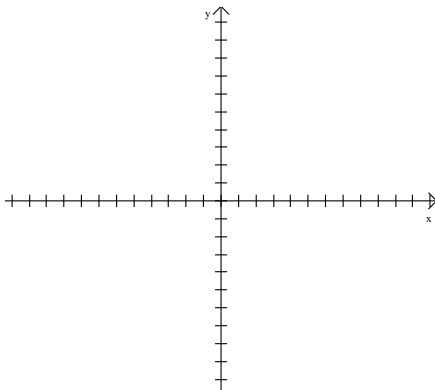
2. $\frac{x^2}{9} - \frac{y^2}{16} = 1$

center is (_____, _____)
 Asymptotes are _____ & _____
 Vertices are (_____, _____) & (_____, _____)



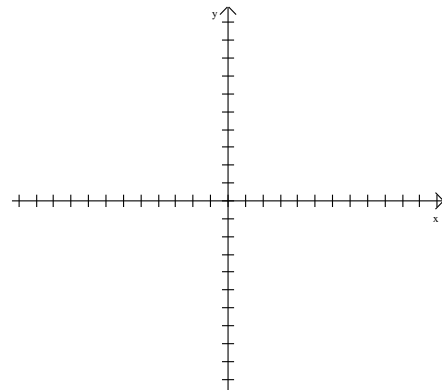
3. $\frac{x^2}{4} - \frac{y^2}{25} = 1$

center is (_____, _____)
 Asymptotes are _____ & _____
 Vertices are (_____, _____) & (_____, _____)

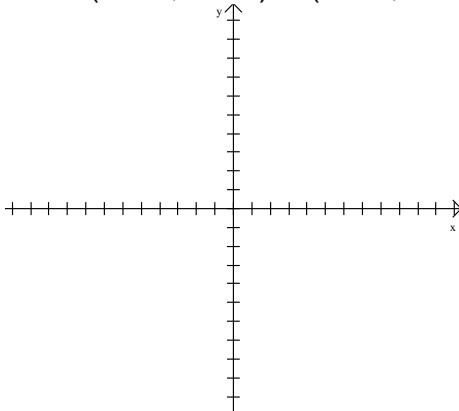


4. $\frac{x^2}{4} - \frac{y^2}{9} = 1$

center is (_____, _____)
 Asymptotes are _____ & _____
 Vertices are (_____, _____) & (_____, _____)



5. $x^2 - 6x - 4y^2 - 16y - 8 = 0$
 center is (_____, _____)
 Asymptotes are _____ & _____
 Vertices are (_____, _____) & (_____, _____)



6. $-4x^2 - 16x + y^2 - 2y - 19 = 0$
 center is (_____, _____)
 Asymptotes are _____ & _____
 Vertices are (_____, _____) & (_____, _____)

